

## DS-2CE78U7T-IT3F 8 MP Ultra-Low Light Camera



### Key Feature

- 8.29 MP, 3840 × 160 resolution
- Ultra-low light
- 130 dB true WDR, 3D DNR
- 2.8 mm, 3.6 mm, 6 mm, 8 mm, 12 mm fixed lens
- Smart IR, up to 60 m IR distance
- 4 in 1 video output (switchable TVI/AHD/CVI/CVBS)
- IP67



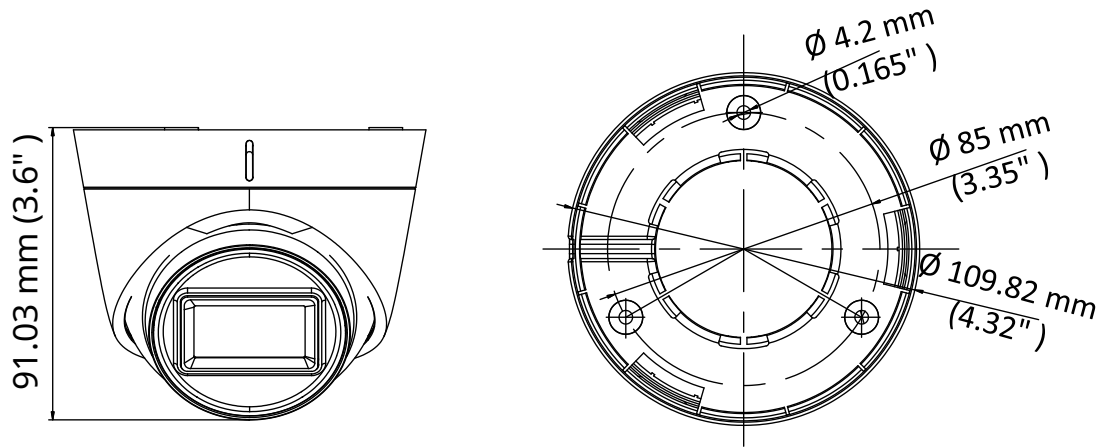
## Specification

<b>Camera</b>	
Image Sensor	8.29 MP CMOS
Signal System	PAL/NTSC
Frame Rate	TVI: 8MP@12.5fps, 8MP@15fps, 5MP@20fps, 4MP@25fps, 4MP@30fps, 1080P@25fps, 1080P@30fps AHD: 8MP@12.5fps, 8MP@15fps CVI: 8MP@12.5fps, 8MP@15fps CVBS: P/N
Resolution	3840 (H) × 2160 (V)
Min. Illumination	0.003 Lux@(F1.2, AGC ON), 0 Lux with IR
Shutter Time	PAL: 1/12.5 s to 1/50,000 s NTSC: 1/15 s to 1/50,000 s
Lens	2.8 mm, 3.6 mm, 6 mm, 8 mm, 12 mm fixed lens
Horizontal Field of View	102° (2.8 mm), 79° (3.6 mm), 51° (6 mm), 38° (8 mm), 24° (12 mm)
Lens Mount	M16
Day & Night	ICR
WDR (Wide Dynamic Range)	≥130 dB
Angle Adjustment (Bracket)	Pan: 0° to 360°, Tilt: 0° to 75°, Rotate: 0° to 360°
<b>Menu</b>	
Image Mode	STD/HIGH-SAT
AGC	Yes
Day/Night Mode	Auto/Color/BW (Black and White)
White Balance	Auto/Manual
AE (Auto Exposure) Mode	Global/BLC/HLC/WDR
Noise Reduction	3D DNR
Language	English
Functions	Brightness, Sharpness, Mirror, Smart IR
<b>Interface</b>	
Video Output	Switchable TVI/AHD/CVI/CVBS
<b>General</b>	
Operating Conditions	-40 °C to 60 °C (-40 °F to 140 °F), humidity: 90% or less (non-condensing)
Power Supply	12 VDC ± 25% <i>*You are recommended to use one power adapter to supply the power for one camera.</i>
Power Consumption	Max. 4.2 W
Protection Level	IP67
Material	Enclosure: Plastic Main body: Metal
IR Range	Up to 60 m
Communication	HIKVISION-C
Dimensions	Φ 109.82 mm × 91.03 mm (Φ 4.32" × 3.6")
Weight	Approx. 325 g (0.72 lb.)

**Order Model**

DS-2CE78U7T-IT3F

**Dimension**



**Accessory**



DS-1272ZJ-110-TRS  
Wall Mount



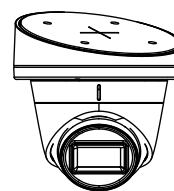
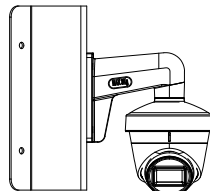
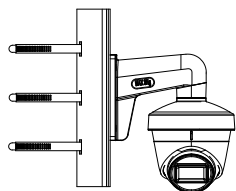
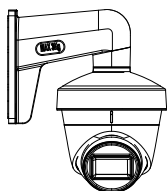
DS-1275ZJ-SUS  
Vertical Pole Mount



DS-1276ZJ-SUS  
Corner Mount



DS-1281ZJ-S  
Inclined Ceiling Mount



DS-1280ZJ-S  
Junction Box

Distributed by

**Мегара Секюрити**  
<https://shop.sotbg.eu>  
[shop@sotbg.eu](mailto:shop@sotbg.eu)  
**+359889769686**

**HIKVISION**

**Headquarters**

No.555 Qianmo Road, Binjiang District,  
 Hangzhou 310051, China  
 T +86-571-8807-5998  
[overseasbusiness@hikvision.com](mailto:overseasbusiness@hikvision.com)

**Hikvision USA**  
 T +1-909-895-0400  
[sales.usa@hikvision.com](mailto:sales.usa@hikvision.com)

**Hikvision Europe**  
 T +31-23-55-42-770  
[info.eu@hikvision.com](mailto:info.eu@hikvision.com)

**Hikvision Middle East**  
 T +971-4-8816086  
[salesme@hikvision.com](mailto:salesme@hikvision.com)

**Hikvision Russia**  
 T +7-495-669-67-99  
[saleru@hikvision.com](mailto:saleru@hikvision.com)

**Hikvision India**  
 T +91-22-28469900  
[sales@pramahikvision.com](mailto:sales@pramahikvision.com)

**Hikvision Italy**  
 T +39-0438-6902  
[info.it@hikvision.com](mailto:info.it@hikvision.com)

**Hikvision France**  
 T +33(0)1-85-330-450  
[info.fr@hikvision.com](mailto:info.fr@hikvision.com)

**Hikvision Spain**  
 T +34-91-737-16-55  
[info.es@hikvision.com](mailto:info.es@hikvision.com)

**Hikvision Poland**  
 T +48-22-460-01-50  
[poland@hikvision.com](mailto:poland@hikvision.com)

**Hikvision UK**  
 T +01628-902140  
[support.uk@hikvision.com](mailto:support.uk@hikvision.com)

**Hikvision Singapore**  
 T +65-6684-4718  
[sg@hikvision.com](mailto:sg@hikvision.com)

**Hikvision Oceania**  
 T +61-2-8599-4233  
[salesau@hikvision.com](mailto:salesau@hikvision.com)

**Hikvision Canada**  
 T +1-909-895-0400  
[sales.usa@hikvision.com](mailto:sales.usa@hikvision.com)

**Hikvision Korea**  
 T +82-31-731-8841  
[sales.korea@hikvision.com](mailto:sales.korea@hikvision.com)

**Hikvision Brazil**  
 T +55 11 3318-0050  
[Latam.support@hikvision.com](mailto:Latam.support@hikvision.com)

**Hikvision Africa**  
 T +27 (0) 0351172  
[sale.africa@hikvision.com](mailto:sale.africa@hikvision.com)

**Hikvision Hong Kong**  
 T +852-2151-1761