

# DS-KIS101-P/Surface Video Intercom Two-Wire Analog Bundle

**HIKVISION**<sup>®</sup>



## Key Feature

- 2-Wire plug & play, easy, cost-efficient
- Receive video call and unlock via indoor station
- 7-inch TFT screen with 1024\*600 resolution
- 2MP HD colorful camera
- View in color, even in darkness
- One-touch calling with nametag
- IP65 water resistant, preventing from water ingress
- IK7 vandal resistant
- 2 lock relays, power supply for one electric lock (Up to 12V 1A)

## Specification

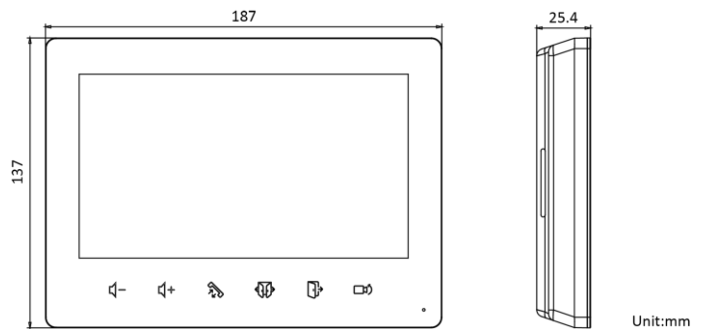
| Door station      |   |
|-------------------|---|
| Supplement light  | White light supplement                              |
| Lens              | Low Illumination 2 MP HD IR Camera                  |
| FOV               | Horizontal: 100° , Vertical: 69°                    |
| WDR               | Support   |
| Resolution        | 2MP   |
| Door station      |   |
| Audio input       | Built-in omnidirectional microphone                 |
| Audio output      | Built-in loudspeaker (More than 80 dB within 20 cm) |
| Volume adjustment | Adjustable with screwdriver                         |
| Door station      |   |
| Alarm input       | 4   |
| Two-Wire          | 1   |
| TAMPER            | 1   |

| Exit button             | 2  |
|-------------------------|--|
| Lock control            | 2, lock duration can be adjusted via DIP switch (Max. 7 s) |
| Door contact input      | 2  |
| Power supply for lock   | 1, Max. 12 V 1 A   |
| Debugging port          | 1  |
| Door station            |  |
| Button                  | 1  |
| Installation            | Surface mounting with protective shield                    |
| Protective level        | IP65, IK7  |
| Working temperature     | -30 ° C to +60 ° C (-22 ° F to 140 ° F)                    |
| Working humidity        | 10% to 90%   |
| Dimensions              | 150 mm × 82 mm × 23.5 mm (5.91" × 3.23" × 0.93")           |
| Power supply            | 48 VDC, 0.5 A  |
| Application environment | Outdoor  |
| Power consumption       | ≤ 12 W   |
| Door station            |  |
| Operation system        | Embedded analog operation system                           |
| Indoor station          |  |
| Size                    | 7-inch TFT non-touch screen                                |
| Operation method        | 6 touch buttons  |
| Type                    | Colorful TFT screen  |

|                        |   |
|------------------------|---|
| Resolution             | 1024 × 600  |
| <b>Indoor station</b>  |   |
| Audio input            | Built-in omnidirectional microphone                 |
| Audio output           | Built-in loudspeaker (More than 80 dB within 20 cm) |
| Audio quality          | /   |
| Volume                 | Adjustable via touch-button                         |
| Audio compression Rate | /   |
| <b>Indoor station</b>  |   |
| Two-wire               | 3   |
| <b>Indoor station</b>  |   |
| Power supply           | 48 VDC  |
| Power consumption      | ≤ 5 W   |
| Working temperature    | -10 ° C to 50 ° C (14 ° F to 122 ° F)               |
| Working humidity       | 10% to 90%  |
| Dimensions (W × H × D) | 187 mm × 137 mm × 25.4 mm (7.36" × 5.39" × 1.00")   |
| Installation           | Surface mounting                                    |
| Button                 | 6   |
| <b>Indoor station</b>  |   |
| Operation system       | Embedded analog operation system                    |

| No. | Description      | No. | Description    |
|-----|------------------|-----|----------------|
| 1   | Screen           | 12  | DIP Switch     |
| 2   | Microphone       | 13  | Debugging Port |
| 3   | Volume +         | 14  | Camera         |
| 4   | Volume -         | 15  | Loudspeaker    |
| 5   | Receive /Decline | 16  | Call Button    |
| 6   | Unlock Door 2    | 17  | Microphone     |
| 7   | Unlock Door 1    | 18  | TAMPER         |
| 8   | Monitor /Switch  | 19  | Terminals      |
| 9   | Terminals        | 20  | Debugging Port |
| 10  | Loudspeaker      | 21  | DIP Switch     |
| 11  | Power Terminal   | 22  | Volume Adjust  |

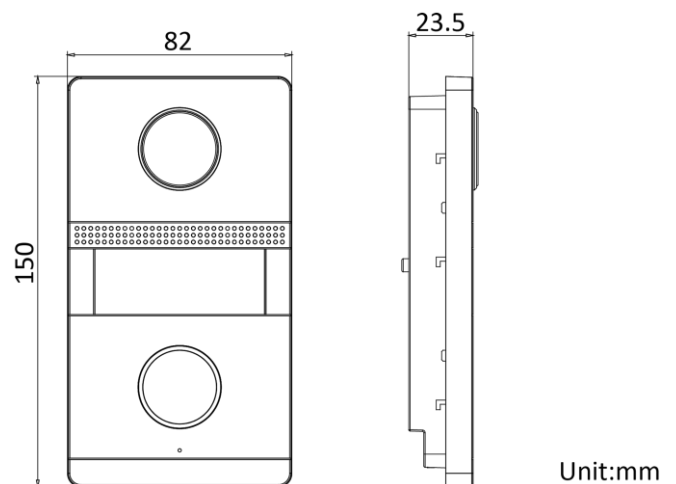
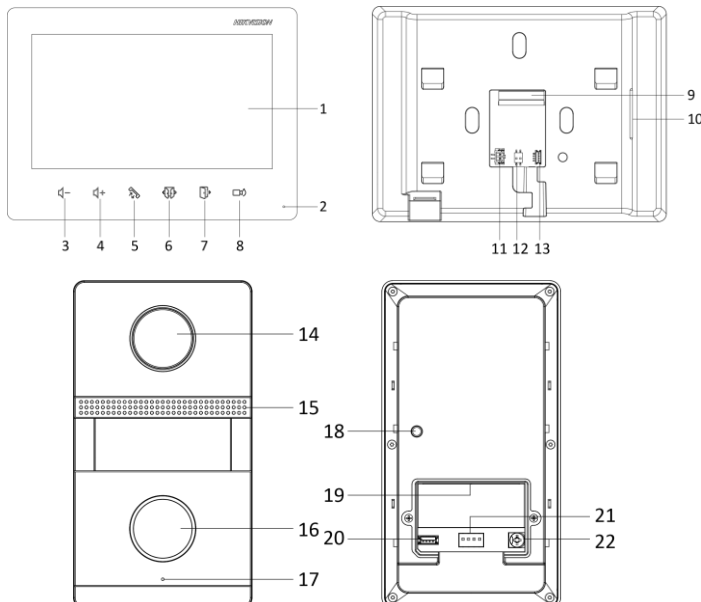
## Dimension



## Available Model

DS-KIS101-P/Surface

## Physical Interface



Distributed by

**Мегара Секюрити**  
**<https://shop.sotbg.eu>**  
**[shop@sotbg.eu](mailto:shop@sotbg.eu)**  
**+359889769686**

**HIKVISION®****Headquarters**

No.555 Qianmo Road, Binjiang District,  
Hangzhou 310051, China  
T +86-571-8807-5998  
[overseasbusiness@hikvision.com](mailto:overseasbusiness@hikvision.com)

**Hikvision USA**  
T +1-909-895-0400  
[sales.usa@hikvision.com](mailto:sales.usa@hikvision.com)

**Hikvision Australia**  
T +61-2-8599-4233  
[salesau@hikvision.com](mailto:salesau@hikvision.com)

**Hikvision India**  
T +91-22-28469900  
[sales@pramahikvision.com](mailto:sales@pramahikvision.com)

**Hikvision Canada**  
T +1-866-200-6690  
[sales.canada@hikvision.com](mailto:sales.canada@hikvision.com)

**Hikvision Thailand**  
T +662-275-9949  
[sales.thailand@hikvision.com](mailto:sales.thailand@hikvision.com)

**Hikvision Europe**  
T +31-23-5542770  
[sales.eu@hikvision.com](mailto:sales.eu@hikvision.com)

**Hikvision Italy**  
T +39-0438-6902  
[info.it@hikvision.com](mailto:info.it@hikvision.com)

**Hikvision Brazil**  
T +55 11 3318-0050  
[Latam.support@hikvision.com](mailto:Latam.support@hikvision.com)

**Hikvision Turkey**  
T +90 (216)521 7070- 7074  
[sales.tr@hikvision.com](mailto:sales.tr@hikvision.com)

**Hikvision Malaysia**  
T +601-7652-2413  
[sales.my@hikvision.com](mailto:sales.my@hikvision.com)

**Hikvision UK & Ireland**  
T +01628-902140  
[sales.uk@hikvision.com](mailto:sales.uk@hikvision.com)

**Hikvision South Africa**  
Tel: +27 (10) 0351172  
[sale.africa@hikvision.com](mailto:sale.africa@hikvision.com)

**Hikvision France**  
T +33(0)1-85-330-450  
[info.fr@hikvision.com](mailto:info.fr@hikvision.com)

**Hikvision Kazakhstan**  
T +7-727-9730667  
[nikia.panfilov@hikvision.ru](mailto:nikia.panfilov@hikvision.ru)

**Hikvision Vietnam**  
T +84-974270888  
[sales.vt@hikvision.com](mailto:sales.vt@hikvision.com)

**Hikvision UAE**  
T +971-4-4432090  
[salesme@hikvision.com](mailto:salesme@hikvision.com)

**Hikvision Singapore**  
T +65-6684-4718  
[sg@hikvision.com](mailto:sg@hikvision.com)

**Hikvision Spain**  
T +34-91-737-16-55  
[info.es@hikvision.com](mailto:info.es@hikvision.com)

**Hikvision Tashkent**  
T +99-87-1238-9438  
[uzb@hikvision.ru](mailto:uzb@hikvision.ru)

**Hikvision Hong Kong**  
T +852-2151-1761  
[info.hk@hikvision.com](mailto:info.hk@hikvision.com)

**Hikvision Russia**  
T +7-495-669-67-99  
[saleru@hikvision.com](mailto:saleru@hikvision.com)

**Hikvision Korea**  
T +82-(0)31-731-8817  
[sales.korea@hikvision.com](mailto:sales.korea@hikvision.com)

**Hikvision Poland**  
T +48-22-460-01-50  
[info.pl@hikvision.com](mailto:info.pl@hikvision.com)

**Hikvision Indonesia**  
T +62-21-2933759  
[Sales.Indonesia@hikvision.com](mailto:Sales.Indonesia@hikvision.com)

**Hikvision Colombia**  
[sales.colombia@hikvision.com](mailto:sales.colombia@hikvision.com)